

## Double Tube Linear Actuators

with Right or Left Hand Thread, Single Slider

### SPECIFICATION

#### Types

- Type **R1**: Right hand thread, shaft journal at one end
- Type **R2\***: Right hand thread, shaft journal at both ends
- Type **L1\***: Left hand thread, shaft journal at one end
- Type **L2\***: Left hand thread, shaft journal at both ends

\* usually not available from stock

Guide tubes DIN 2391

Steel, chrome-plated **SCR**

End pieces / Slider

Aluminum

- Powder coated  
Black, RAL 9005, textured finish
- Fixing surface / mounting surface  
Machined, plain finish

Spindle with trapezoidal thread

- Steel, plain finish
- With ball-bearing
- Positioning accuracy  $\pm 0.2$  mm/300 mm travel

Follower nut

Gun metal

Socket cap screws DIN 912

Steel, zinc plated

Hex nuts DIN 985

Steel, zinc plated

Self-locking with polyamide ring



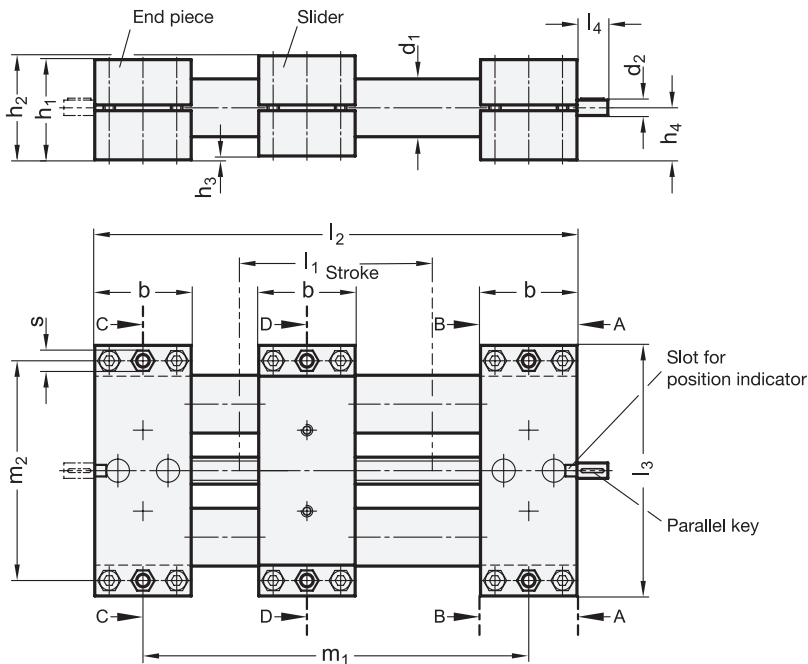
### INFORMATION

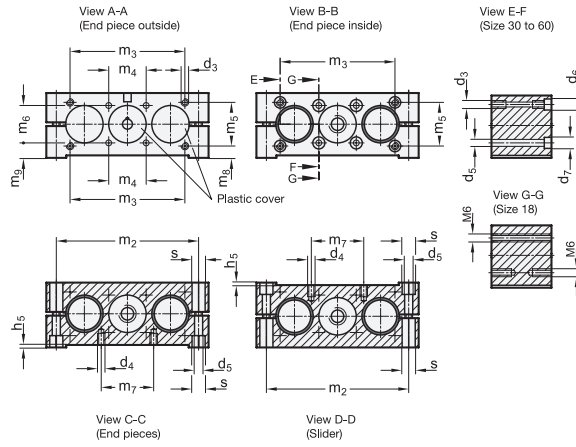
In addition to the standard travel lengths specified in the above table for the double tube linear actuator GN 491 any length inside the maximum travel length is available.

In order to measure the movement and positioning of the sliders, digital position indicators can be added.

### ACCESSORY

- Installation Kits GN 491.1 (for Position Indicators) (see page 1955)





\* Complete with

- R1** Right hand thread, shaft journal at one end
- R2\*** Right hand thread, shaft journal at both ends
- L1\*** Left hand thread, shaft journal at one end
- L2\*** Left hand thread, shaft journal at both ends

### GN 491

Description	d1	l1	l1 Max. stroke	Shaft thread	b	d2	d3**	d4***	d5	d6	For screw DIN 912	d7	For screw DIN 912	h1	h2	h3	h4	h5
GN 491-18-100*-SCR	18	100	420	TR10x3	28	6	-	M 5	5.3	-	-	-	-	28	29	1	14.5	0.75
GN 491-18-150*-SCR	18	150	420	TR10x3	28	6	-	M 5	5.3	-	-	-	-	28	29	1	14.5	0.75
GN 491-18-200*-SCR	18	200	420	TR10x3	28	6	-	M 5	5.3	-	-	-	-	28	29	1	14.5	0.75
GN 491-18-250*-SCR	18	250	420	TR10x3	28	6	-	M 5	5.3	-	-	-	-	28	29	1	14.5	0.75
GN 491-30-100*-SCR	30	100	1500	TR14x4	50	8	M 6	M 6	6.5	9	M 5	10.5	M 6	52	54	2	27	0.85
GN 491-30-150*-SCR	30	150	1500	TR14x4	50	8	M 6	M 6	6.5	9	M 5	10.5	M 6	52	54	2	27	0.85
GN 491-30-200*-SCR	30	200	1500	TR14x4	50	8	M 6	M 6	6.5	9	M 5	10.5	M 6	52	54	2	27	0.85
GN 491-30-300*-SCR	30	300	1500	TR14x4	50	8	M 6	M 6	6.5	9	M 5	10.5	M 6	52	54	2	27	0.85
GN 491-40-100*-SCR	40	100	2650	TR20x4	60	12	M 8	M 8	8.5	13.5	M 6	13.5	M 8	60	63	3	31.5	1.05
GN 491-40-150*-SCR	40	150	2650	TR20x4	60	12	M 8	M 8	8.5	13.5	M 6	13.5	M 8	60	63	3	31.5	1.05
GN 491-40-200*-SCR	40	200	2650	TR20x4	60	12	M 8	M 8	8.5	13.5	M 6	13.5	M 8	60	63	3	31.5	1.05
GN 491-40-300*-SCR	40	300	2650	TR20x4	60	12	M 8	M 8	8.5	13.5	M 6	13.5	M 8	60	63	3	31.5	1.05
GN 491-50-100*-SCR	50	100	2760	TR20x4	72	12	M 10	M 8	8.5	13.5	M 8	13.5	M 8	72	76	4	38	1.2
GN 491-50-150*-SCR	50	150	2760	TR20x4	72	12	M 10	M 8	8.5	13.5	M 8	13.5	M 8	72	76	4	38	1.2
GN 491-50-200*-SCR	50	200	2760	TR20x4	72	12	M 10	M 8	8.5	13.5	M 8	13.5	M 8	72	76	4	38	1.2
GN 491-50-300*-SCR	50	300	2760	TR20x4	72	12	M 10	M 8	8.5	13.5	M 8	13.5	M 8	72	76	4	38	1.2
GN 491-60-300*-SCR	60	300	2740	TR25x6	80	14	M 10	M 10	10.5	13.5	M 8	16.5	M 10	86	90	4	45	1.35
GN 491-60-400*-SCR	60	400	2740	TR25x6	80	14	M 10	M 10	10.5	13.5	M 8	16.5	M 10	86	90	4	45	1.35
GN 491-60-500*-SCR	60	500	2740	TR25x6	80	14	M 10	M 10	10.5	13.5	M 8	16.5	M 10	86	90	4	45	1.35

### GN 491

Description	l2	l3	l4	m1	m2	m3	m4	m5	m6	m7	m8	m9	s	Parallel key DIN 6885	Installation kit	Position indicator	Handwheel	⚖
GN 491-18-100*-SCR	3xb+1l	81	16	2xb+1l	68	-	20	-	20	18	-	4.5	8	A2x2x12	GN 491.1	DD50	GN 9234	640
GN 491-18-150*-SCR	3xb+1l	81	16	2xb+1l	68	-	20	-	20	18	-	4.5	8	A2x2x12	GN 491.1	DD50	GN 9234	720
GN 491-18-200*-SCR	3xb+1l	81	16	2xb+1l	68	-	20	-	20	18	-	4.5	8	A2x2x12	GN 491.1	DD50	GN 9234	810
GN 491-18-250*-SCR	3xb+1l	81	16	2xb+1l	68	-	20	-	20	18	-	4.5	8	A2x2x12	GN 491.1	DD50	GN 9234	890
GN 491-30-100*-SCR	3xb+1l	130	16	2xb+1l	114	92	30	35	30	42	9.5	12	10	A2x2x12	GN 491.1	DD51   DD51-E	GN 9234	2980
GN 491-30-150*-SCR	3xb+1l	130	16	2xb+1l	114	92	30	35	30	42	9.5	12	10	A2x2x12	GN 491.1	DD51   DD51-E	GN 9234	3000
GN 491-30-200*-SCR	3xb+1l	130	16	2xb+1l	114	92	30	35	30	42	9.5	12	10	A2x2x12	GN 491.1	DD51   DD51-E	GN 9234	3160
GN 491-30-300*-SCR	3xb+1l	130	16	2xb+1l	114	92	30	35	30	42	9.5	12	10	A2x2x12	GN 491.1	DD51   DD51-E	GN 9234	3520
GN 491-40-100*-SCR	3xb+1l	180	17	2xb+1l	160	132	39	38	39	62	12.5	12	13	A4x4x12	GN 491.1	DD52R   DD52R-E	GN 9234	5470
GN 491-40-150*-SCR	3xb+1l	180	17	2xb+1l	160	132	39	38	39	62	12.5	12	13	A4x4x12	GN 491.1	DD52R   DD52R-E	GN 9234	5870
GN 491-40-200*-SCR	3xb+1l	180	17	2xb+1l	160	132	39	38	39	62	12.5	12	13	A4x4x12	GN 491.1	DD52R   DD52R-E	GN 9234	6500
GN 491-40-300*-SCR	3xb+1l	180	17	2xb+1l	160	132	39	38	39	62	12.5	12	13	A4x4x12	GN 491.1	DD52R   DD52R-E	GN 9234	6970
GN 491-50-100*-SCR	3xb+1l	206	18	2xb+1l	184	150	46	50	46	62	13	15	13	A4x4x12	GN 491.1	DD52R   DD52R-E	GN 9234	8900
GN 491-50-150*-SCR	3xb+1l	206	18	2xb+1l	184	150	46	50	46	62	13	15	13	A4x4x12	GN 491.1	DD52R   DD52R-E	GN 9234	9440
GN 491-50-200*-SCR	3xb+1l	206	18	2xb+1l	184	150	46	50	46	62	13	15	13	A4x4x12	GN 491.1	DD52R   DD52R-E	GN 9234	10000
GN 491-50-300*-SCR	3xb+1l	206	18	2xb+1l	184	150	46	50	46	62	13	15	13	A4x4x12	GN 491.1	DD52R   DD52R-E	GN 9234	12350
GN 491-60-300*-SCR	3xb+1l	240	19	2xb+1l	216	185	55	60	55	74	14	16.5	17	A5x5x16	GN 491.1	DD52R   DD52R-E	GN 9234	17800
GN 491-60-400*-SCR	3xb+1l	240	19	2xb+1l	216	185	55	60	55	74	14	16.5	17	A5x5x16	GN 491.1	DD52R   DD52R-E	GN 9234	18950
GN 491-60-500*-SCR	3xb+1l	240	19	2xb+1l	216	185	55	60	55	74	14	16.5	17	A5x5x16	GN 491.1	DD52R   DD52R-E	GN 9234	20600

\*\* usable depth of thread from both sides min. 2 x d3

\*\*\* usable depth of thread min. 1.5 x d4

Weight type R1

